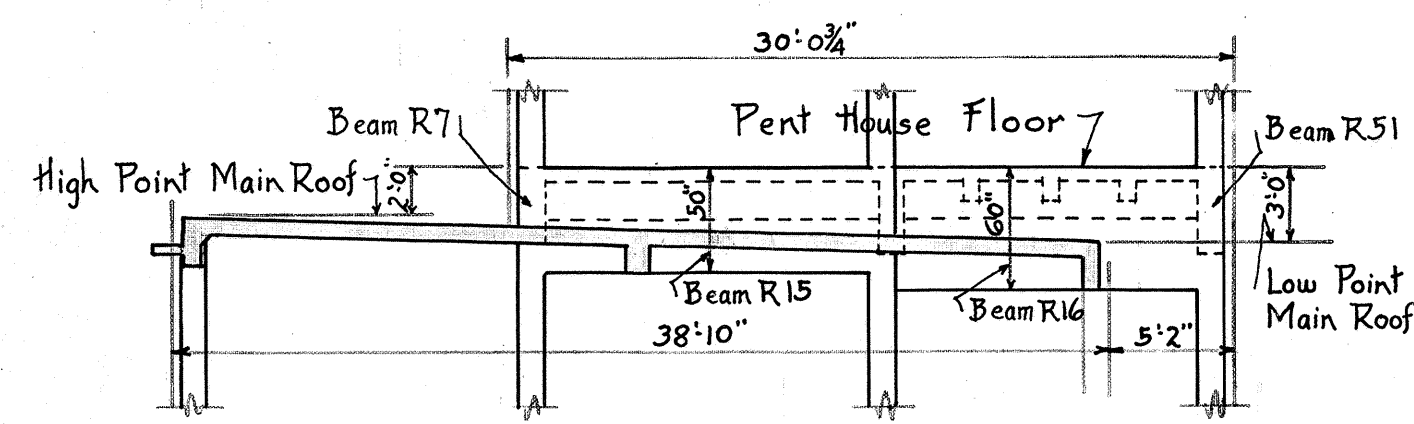
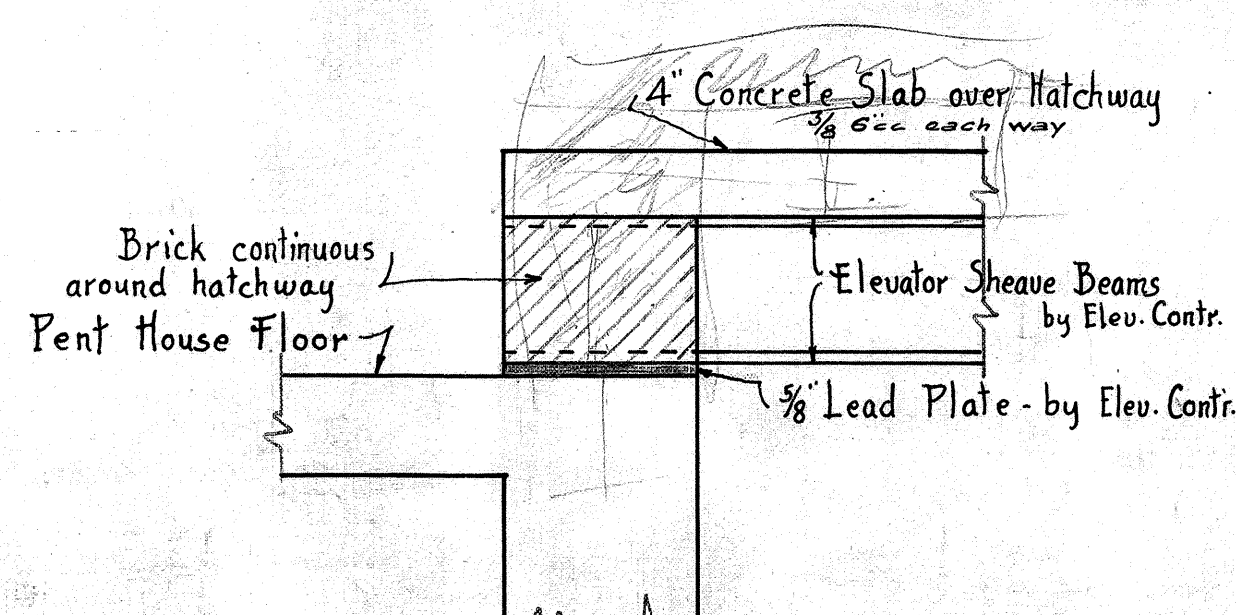


SECTION BB
Scale: 1/8"=1'-0"

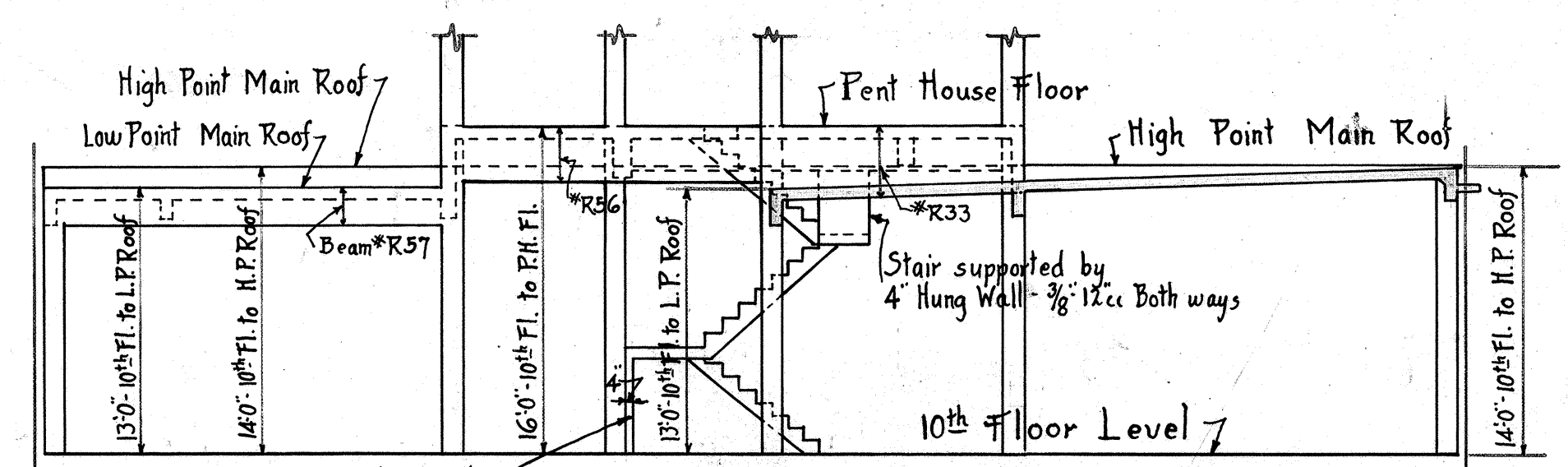


SECTION CC
Scale: 1/8"=1'-0"

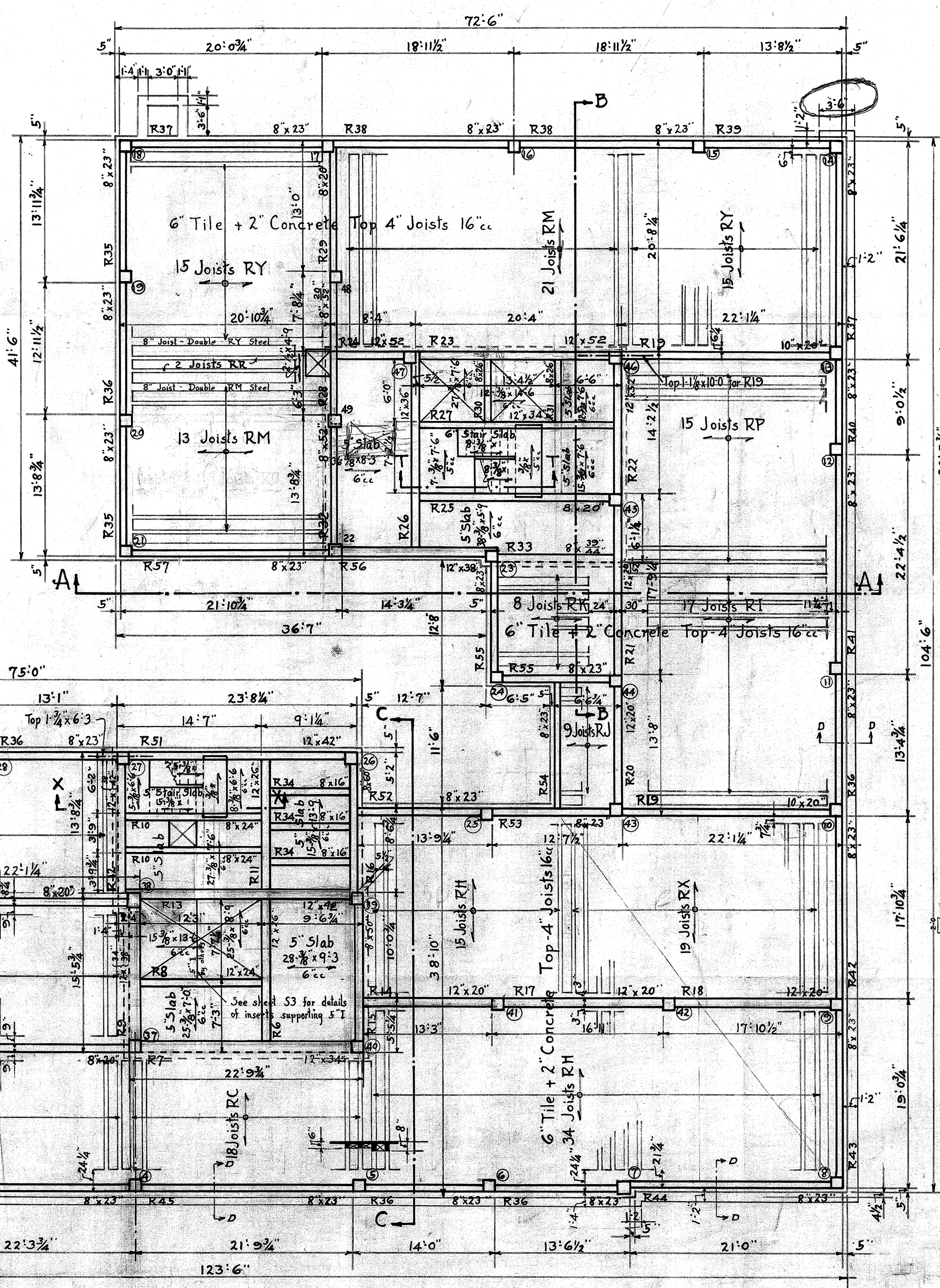
SLAB JOIST SCHEDULE												
Slab Design	No. of Joists	Mark	Top Bottom			OUT TO OUT DIMENSION	H	H ₁	H ₂	WALK		
			Straight	Straight	Dent							
4" + 2" 4" Joists	23	RA	1-5/8" x 16'-9"	1-1/2" x 18'-6"	4"	6"	1'-6"	6"	12'-6"	6"	3'-0"	-
4" + 2" 4" Joists	29	RB	1-1/2" x 15'-0"	1-1/2" x 17'-3"	4"	6"	1'-6"	6"	8'-9"	6"	5'-6"	-
4" + 2" 4" Joists	18	RC	1-3/4" x 15'-6"	1-1/2" x 15'-9"	14"	4"	6"	1'-6"	3/4"	10'-10"	5 1/2"	1'-6"
4" + 2" 4" Joists	15	RD	1-3/8" x 14'-6"	1-1/2" x 18'-6"	4"	-	5'-6"	6"	6'-6"	6"	5'-6"	-
4" + 2" 4" Joists	18	RE	1-1/2" x 17'-3"	1-3/8" x 20'-3"	4"	8"	1'-6"	6"	10'-4"	6"	6'-9"	-
4" + 2" 4" Joists	18	RW	1-1/2" x 18'-9"	1-1/2" x 18'-0"	4"	-	3'-0"	6"	8'-6"	6"	5'-6"	-
4" + 2" 4" Joists	29	RH	1-3/4" x 22'-0"	1-5/8" x 23'-9"	6"	8"	1'-6"	9"	17'-1"	9"	3'-0"	-
4" + 2" 4" Joists	49	RY	1-1/2" x 14'-6"	1-5/8" x 22'-6"	6"	8"	1'-6"	9"	11'-8"	9"	7'-2"	-
4" + 2" 4" Joists	17	RI	1-5/8" x 23'-0"	1-3/4" x 26'-3"	6"	8"	1'-6"	9"	14'-1"	9"	8'-6"	-
6" + 2" 4" Joists	9	RJ	1-5/8" x 9'-0"	1-5/8" x 6'-3"	-	-	-	-	-	-	-	-
6" + 2" 4" Joists	8	RK	1-3/8" x 12'-9"	1-5/8" x 16'-0"	6"	8"	1'-6"	9"	6'-8"	9"	5'-8"	-
6" + 2" 4" Joists	19	RX	1-1/2" x 19'-0"	1-5/8" x 23'-3"	6"	-	3'-0"	9"	11'-9"	9"	7'-0"	-
6" + 2" 4" Joists	35	RM	1-3/4" x 22'-3"	1-5/8" x 22'-7"	21"	6"	6"	1'-6"	8 1/2"	17'-2"	8 1/2"	1'-6"
6" + 2" 4" Joists	2	RR	1-3/4" x 14'-3"	1-5/8" x 18'-8"	18"	6"	6"	1'-6"	8 1/2"	14'-3"	8 1/2"	1'-6"
6" + 2" 4" Joists	15	RP	1-3/4" x 23'-9"	1-3/4" x 24'-2"	22"	6"	6"	1'-6"	8 1/2"	18'-9"	8 1/2"	1'-6"
6" + 2" 4" Joists	19	PA	-	2-5/8" x 20'-0"	19"	6"	6"	1'-6"	8 1/2"	17'-8"	-	6"
6" + 2" 4" Joists	27	PB	1-3/8" x 15'-3"	1-1/2" x 17'-9"	4"	6"	1'-6"	6"	9'-0"	6"	5'-9"	-



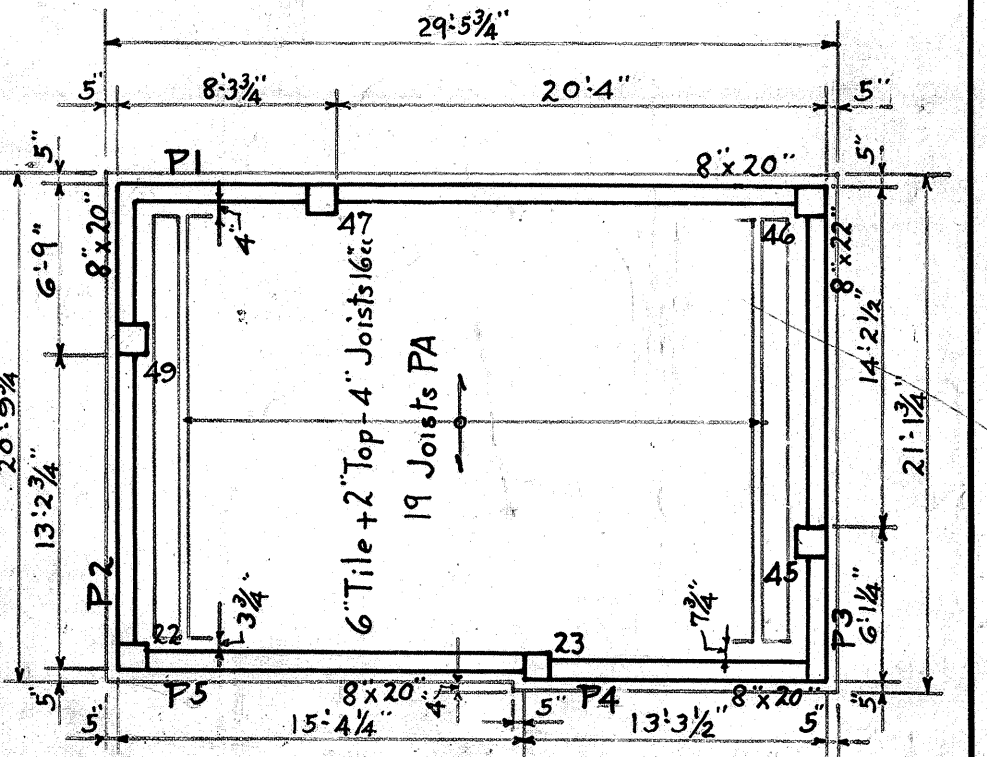
SECTION THRU HATCHWAYS AT PENT HOUSE
Scale: 1"=1'-0"



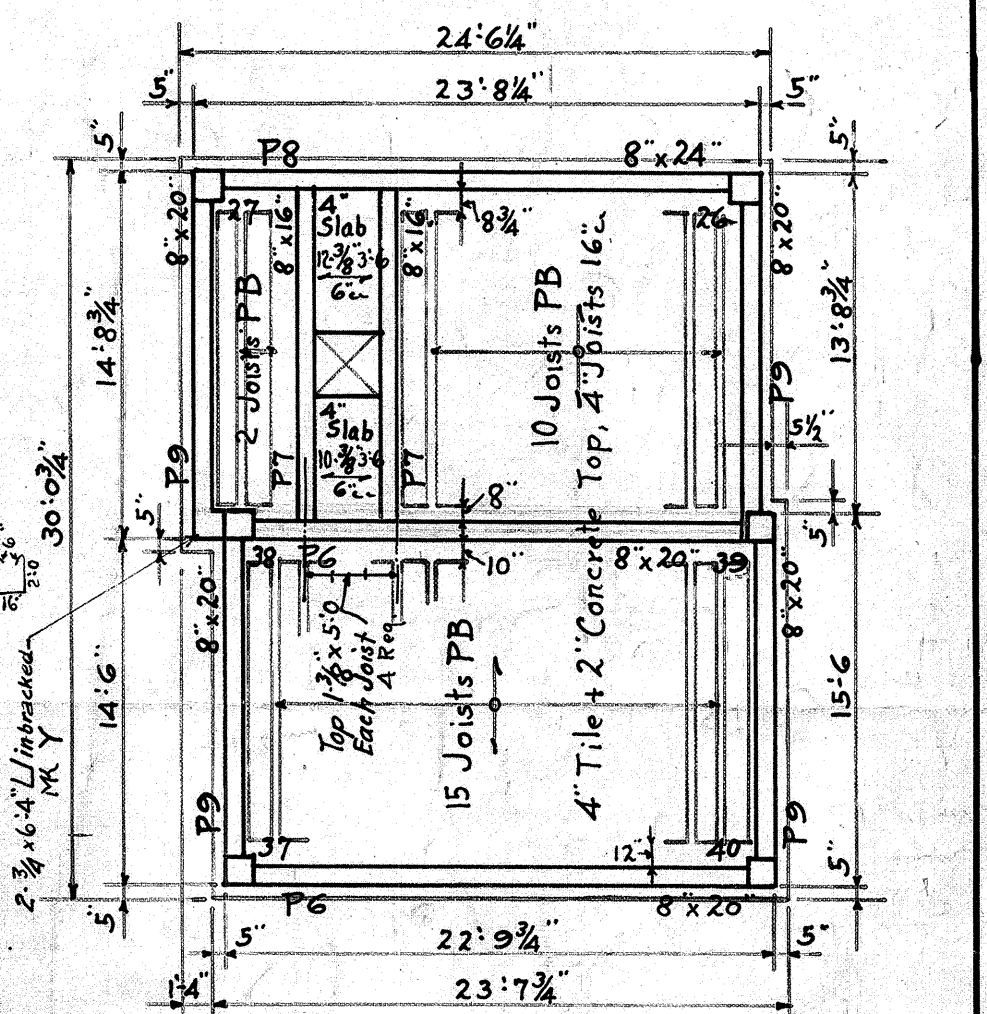
SECTION A-A
Scale: 1/8"=1'-0"



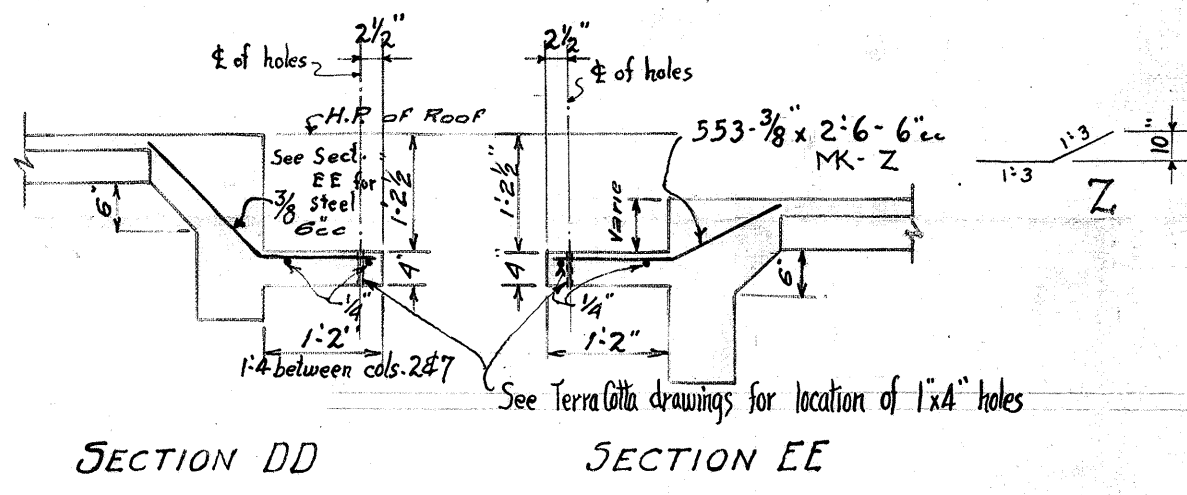
MAIN ROOF AND PENT HOUSE FLOOR FRAMING PLAN
Scale: 1/8"=1'-0"



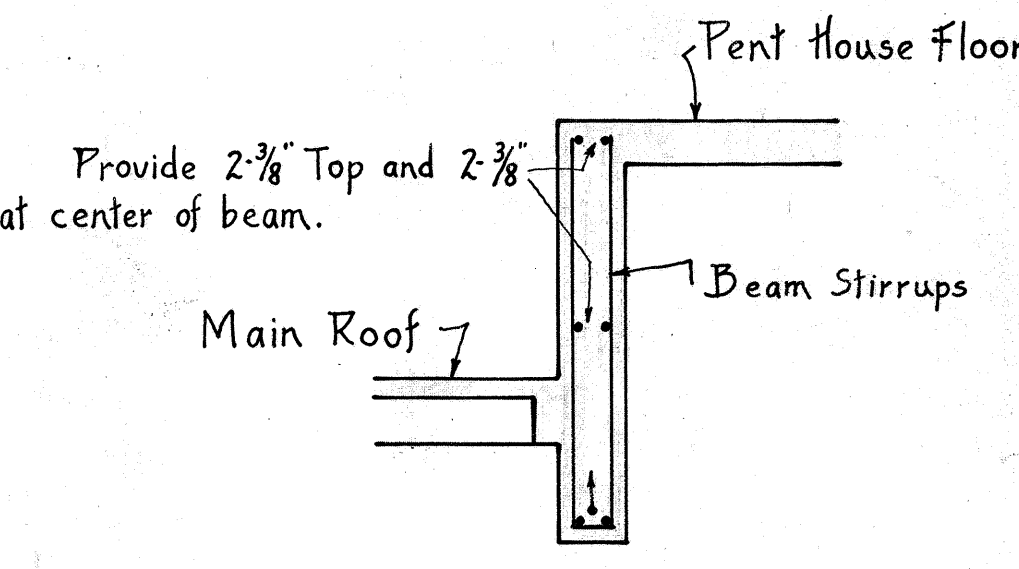
PENT HOUSE ROOF FRAMING PLAN
Scale: 1/8"=1'-0"



PENT HOUSE ROOF FRAMING PLAN
Scale: 1/8"=1'-0"



SECTION DD SECTION EE



TYPICAL BEAM
(FOR SPANDREL BEAMS AROUND PENT HOUSE FLOOR)
Scale: 1/2"=1'-0"

NOTES

Provide 1/4" 18cc Temperature Rods over and at right angles to main reinforcement in all Slabs. 330-1/4 x 20'-0" Req.
All rods to be round deformed.
See Terra Cotta drawings for location of 1"x4" holes in concrete ledge.

NOTE: All figures & memoranda to be checked by Contractor and errors referred to Architect for correction.

FILE No. 3805 DATE 3/25/26
DESIGNED BY AP
DRAWN BY L.V.B.
CHECKED BY AP L.V.B.
REVISIONS 12-27-21 Drawing Shipped
1-11-28 Dim. for Sect. 204 & 212 ok'd
1-28-28 Conc. ledge 2'6" Dim. ok'd as detailed

THE VERSAILLES APARTMENTS
FOR THE VERSAILLES BUILDING CO.
3-W. COR. SKINNER & ROSEBURY AVES.
SAINT LOUIS, MISSOURI

PRESTON - J - BRADSHAW
ARCHITECT
INTERNATIONAL LIFE BLDG. ST. LOUIS MO.
BRUSSEL AND VITERBO
ENGINEERS

JOB No. 428
DATE APR. 12 - 26
REVISER

SHEET No. 54